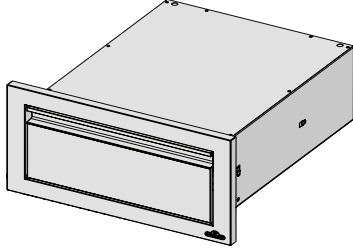
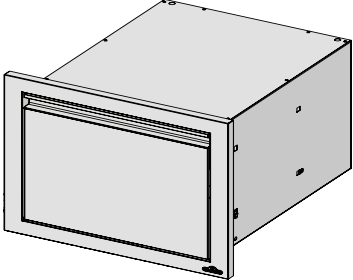
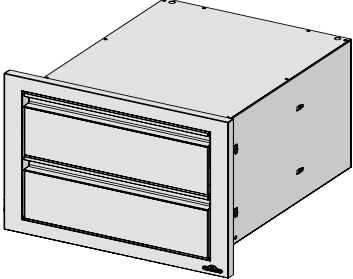
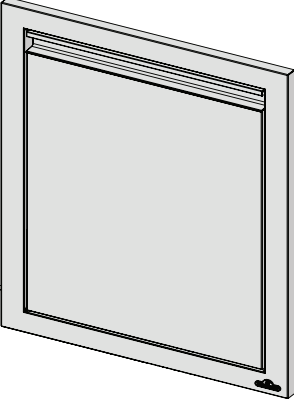
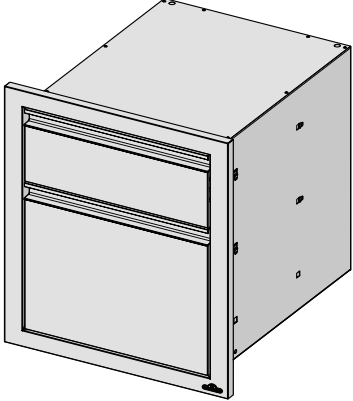
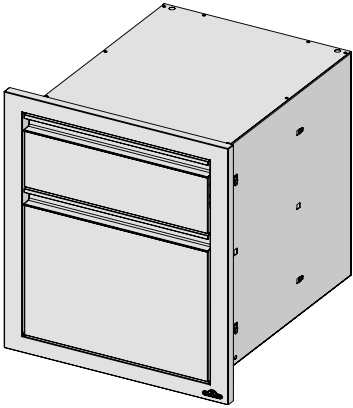
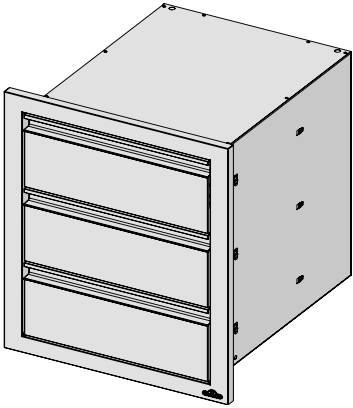
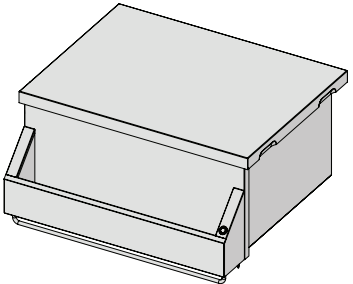
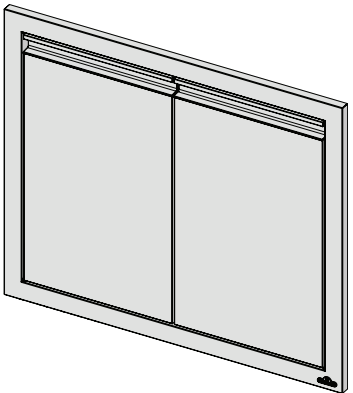
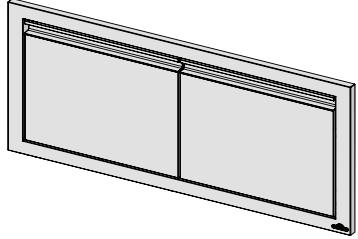
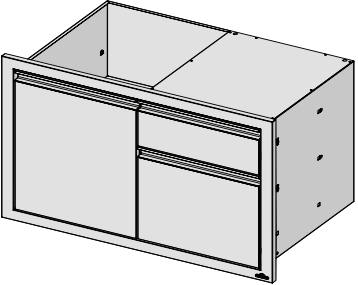
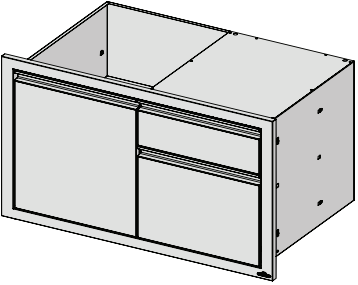
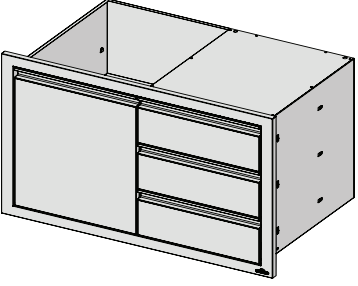
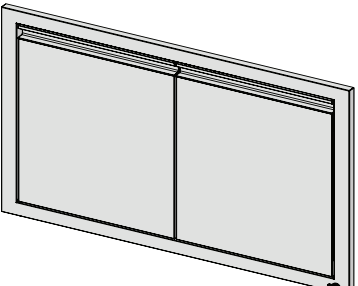
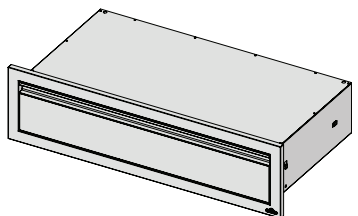
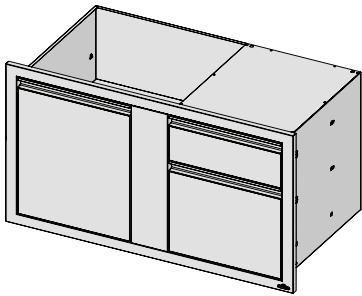
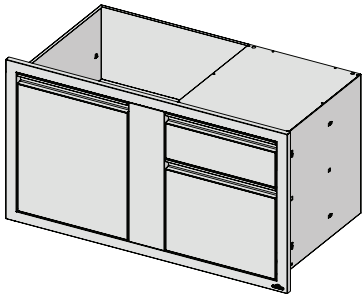
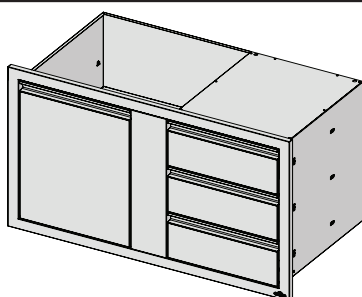
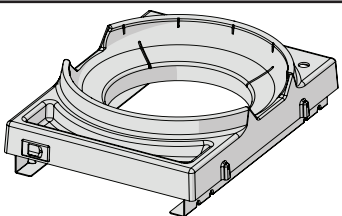
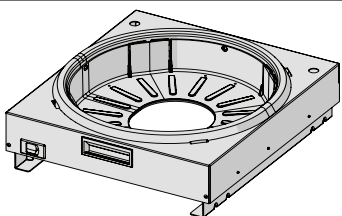


**BUILT-IN COMPONENT OPENING DIMENSIONS**  
**DIMENSIONS D'OUVERTURE POUR LES COMPOSANT COMPONENT**

| PART #      | DESCRIPTION                            | PICTURE   | CUTOUT DIMENSIONS (APPROX.) |         |         | OVERALL DIMENSIONS (APPROX.) |         |         |
|-------------|--|---|-----------------------------|---------|---------|------------------------------|---------|---------|
|             |  |   | W                           | H       | D       | W                            | H       | D       |
| BI-1808-1DR | SINGLE DRAWER<br>18" x 8"              |    | 18-5/8"                     | 8-3/4"  | 22-3/4" | 21-1/2"                      | 11-3/4" | 23-1/2" |
| BI-1816-1DR | SINGLE DRAWER<br>18" x 16"             |    | 18-5/8"                     | 16-3/4" | 22-3/4" | 17-1/2"                      | 21-1/2" | 23-1/2" |
| BI-1816-2DR | DOUBLE DRAWER<br>18" x 16"             |   | 18-5/8"                     | 16-3/4" | 22-3/4" | 19-3/4"                      | 21-1/2" | 23-1/2" |
| BI-1824-1D  | REVERSIBLE<br>SINGLE DOOR<br>18" x 24" |  | 18-5/8"                     | 24-3/4" | 3"      | 19-3/4"                      | 27-3/4" | 3-5/8"  |
| BI-1824-1W  | WASTE BIN<br>DRAWER 18"<br>x 24"       |  | 18-5/8"                     | 24-3/4" | 22-3/4" | 19-3/4"                      | 27-3/4" | 23-1/2" |

| PART #      | DESCRIPTION                | PICTURE   | CUTOUT DIMENSIONS (APPROX.) |         |         | OVERALL DIMENSIONS (APPROX.) |         |         |
|-------------|----------------------------|---|-----------------------------|---------|---------|------------------------------|---------|---------|
|             |                            |   | W                           | H       | D       | W                            | H       | D       |
| BI-1824-2DR | DOUBLE DRAWER<br>18" x 24" |    | 18-5/8"                     | 24-3/4" | 22-3/4" | 19-3/4"                      | 27-3/4" | 23-1/2" |
| BI-1824-3DR | TRIPLE DRAWER<br>18" x 24" |   | 18-5/8"                     | 24-3/4" | 22-3/4" | 19-3/4"                      | 27-3/4" | 23-1/2" |
| BI-2418-BEV | BEVERAGE CENTER            |  | 24"                         | 18"     | 10-1/2" | 25-1/4"                      | 18-3/4" | 10-1/2" |
| BI-3024-2D  | DOUBLE DOOR<br>30" x 24"   |  | 30-1/2"                     | 24-3/4" | 3"      | 33-3/8"                      | 27-3/4" | 3-5/8"  |

| PART #        | DESCRIPTION                                | PICTURE   | CUTOUT DIMENSIONS (APPROX.) |         |         | OVERALLT DIMENSIONS (APPROX.) |         |         |
|---------------|--|---|-----------------------------|---------|---------|-------------------------------|---------|---------|
|               |  |   | W                           | H       | D       | W                             | H       | D       |
| BI-3616-2D    | DOUBLE DOOR<br>36" x 16"                   |    | 36-1/2"                     | 16-3/4" | 3"      | 39-3/8"                       | 19-3/4" | 3-5/8"  |
| BI-3624-1D1W  | DOOR & WASTE<br>BIN COMBO 36"<br>x "24"    |    | 36-1/2"                     | 24-3/4" | 22-3/4" | 39-3/8"                       | 27-3/4" | 23-1/2" |
| BI-3624-1D2DR | DOOR & DOUBLE<br>DRAWER COMBO<br>36" x 24" |   | 36-1/2"                     | 24-3/4" | 22-3/4" | 39-3/8"                       | 27-3/4" | 23-1/2" |
| BI-3624-1D3DR | DOOR & TRIPLE<br>DRAWER COMBO<br>36" x 24" |  | 36-1/2"                     | 24-3/4" | 22-3/4" | 39-3/8"                       | 27-3/4" | 23-1/2" |
| BI-3624-2D    | DOUBLE DOOR<br>36" x 24"                   |  | 36-1/2"                     | 24-3/4" | 3"      | 39-3/8"                       | 27-3/4" | 3-5/8"  |
| BI-4208-1DR   | SINGLE DRAWER<br>42" x 8"                  |  | 42-1/2"                     | 8-3/4"  | 22-3/4" | 45-1/4"                       | 11-3/4" | 23-1/2" |

| PART #        | DESCRIPTION                           | PICTURE   | CUTOUT DIMENSIONS (APPROX.) |         |         | OVERALL DIMENSIONS (APPROX.) |         |         |
|---------------|---------------------------------------|---|-----------------------------|---------|---------|------------------------------|---------|---------|
|               |                                       |   | W                           | H       | D       | W                            | H       | D       |
| BI-4224-1D1W  | DOOR & WASTE BIN COMBO 42" x 24"      |    | 42-1/2"                     | 24-3/4" | 22-3/4" | 45-1/4"                      | 27-3/4" | 23-1/2" |
| BI-4224-1D2DR | DOOR & DOUBLE DRAWER COMBO, 42" x 24" |    | 42-1/2"                     | 24-3/4" | 22-3/4" | 45-1/4"                      | 27-3/4" | 23-1/2" |
| BI-4224-1D3DR | DOOR & TRIPLE DRAWER COMBO 42" x 24"  |   | 42-1/2"                     | 24-3/4" | 22-3/4" | 45-1/4"                      | 27-3/4" | 23-1/2" |
| BI-TSK        | NORTH AMERICAN TANK SLIDE             |  | 15"                         | 24"     | 20"     | 15"                          | 24"     | 20"     |
| BI-TSK-CE     | EUROPEAN TANK SLIDE                   |  | 15"                         | 24"     | 20"     | 15"                          | 24"     | 20"     |