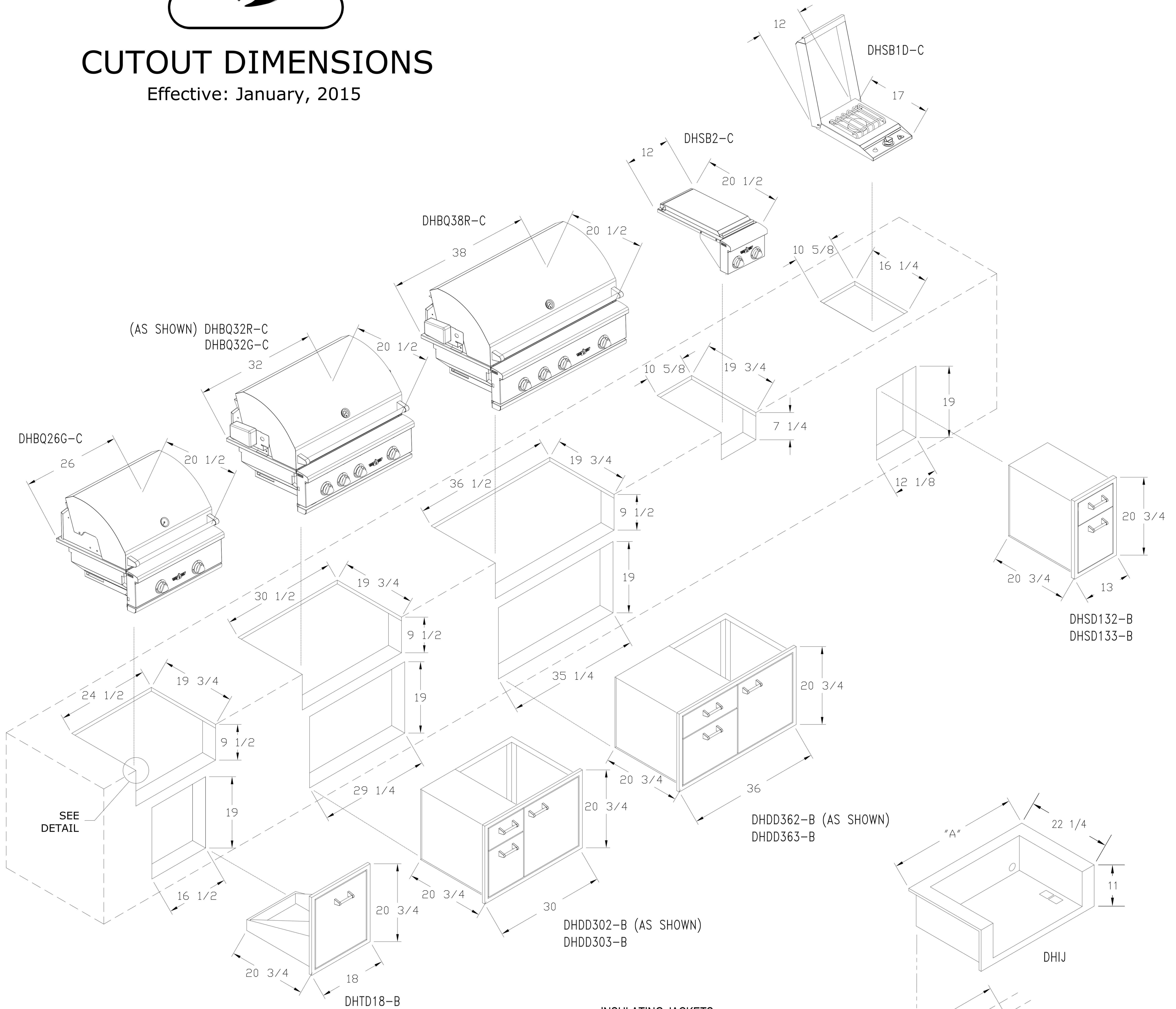


CUTOUT DIMENSIONS

Effective: January, 2015



DHSD132-B
DHSD133-B

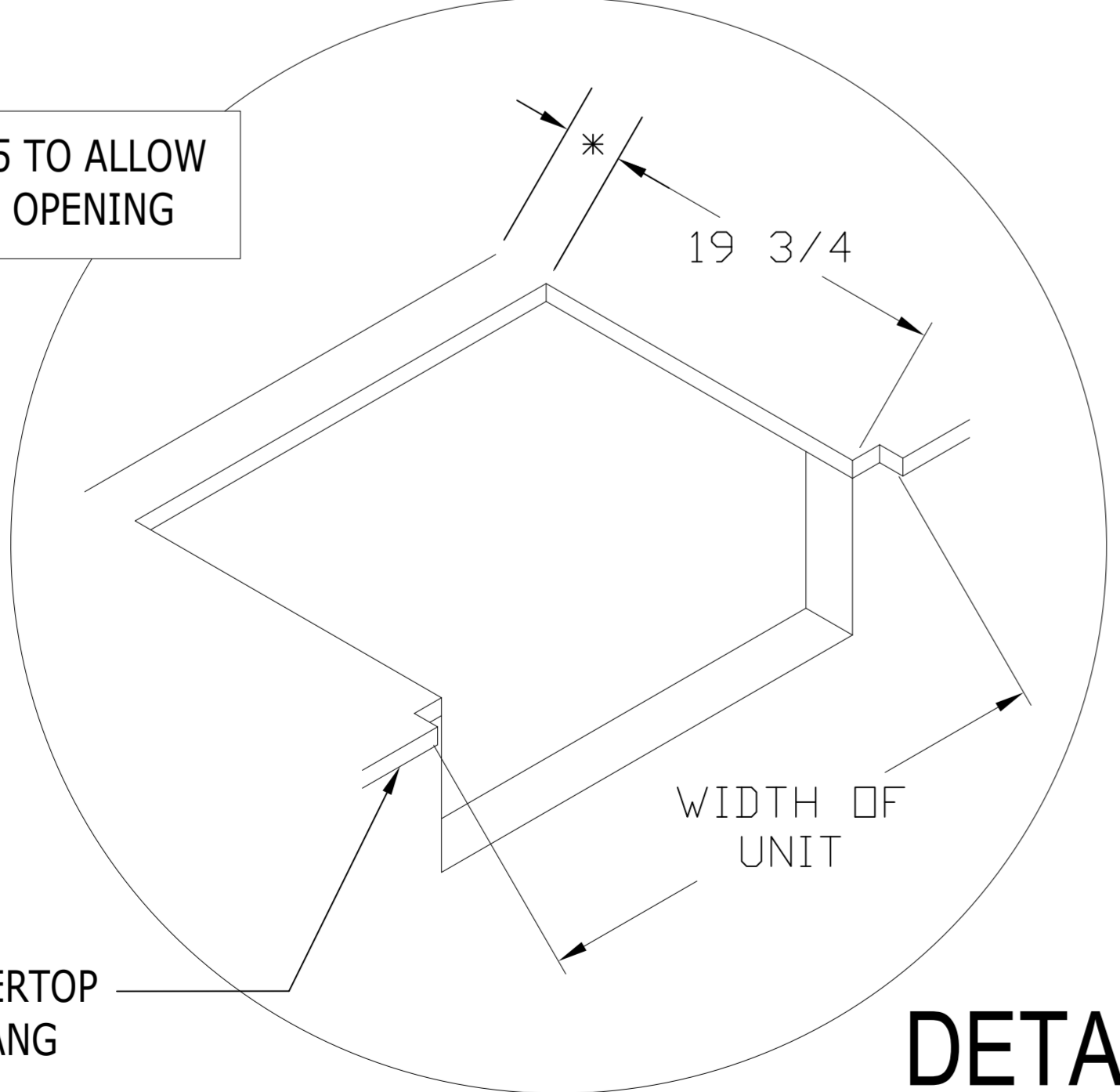
DHDD362-B (AS SHOWN)
DHDD363-B

DHDD302-B (AS SHOWN)
DHDD303-B

DHTD18-B

SEE
DETAIL

* ADD 3.75 TO ALLOW
FOR HOOD OPENING

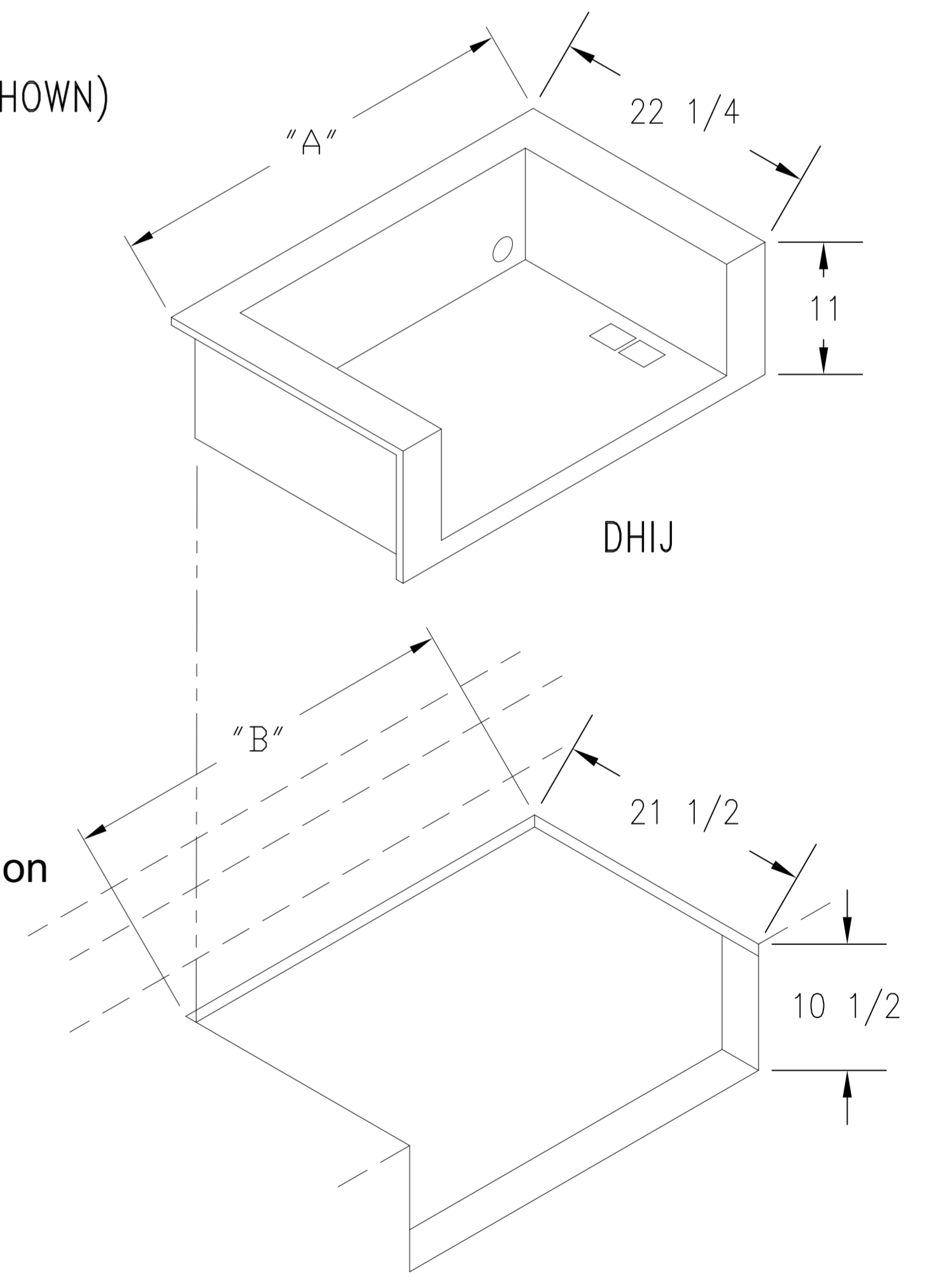


DETAIL

- INSULATING JACKETS**
- * Stainless steel construction
 - * Polished stainless steel trim
 - * For installation on combustible construction

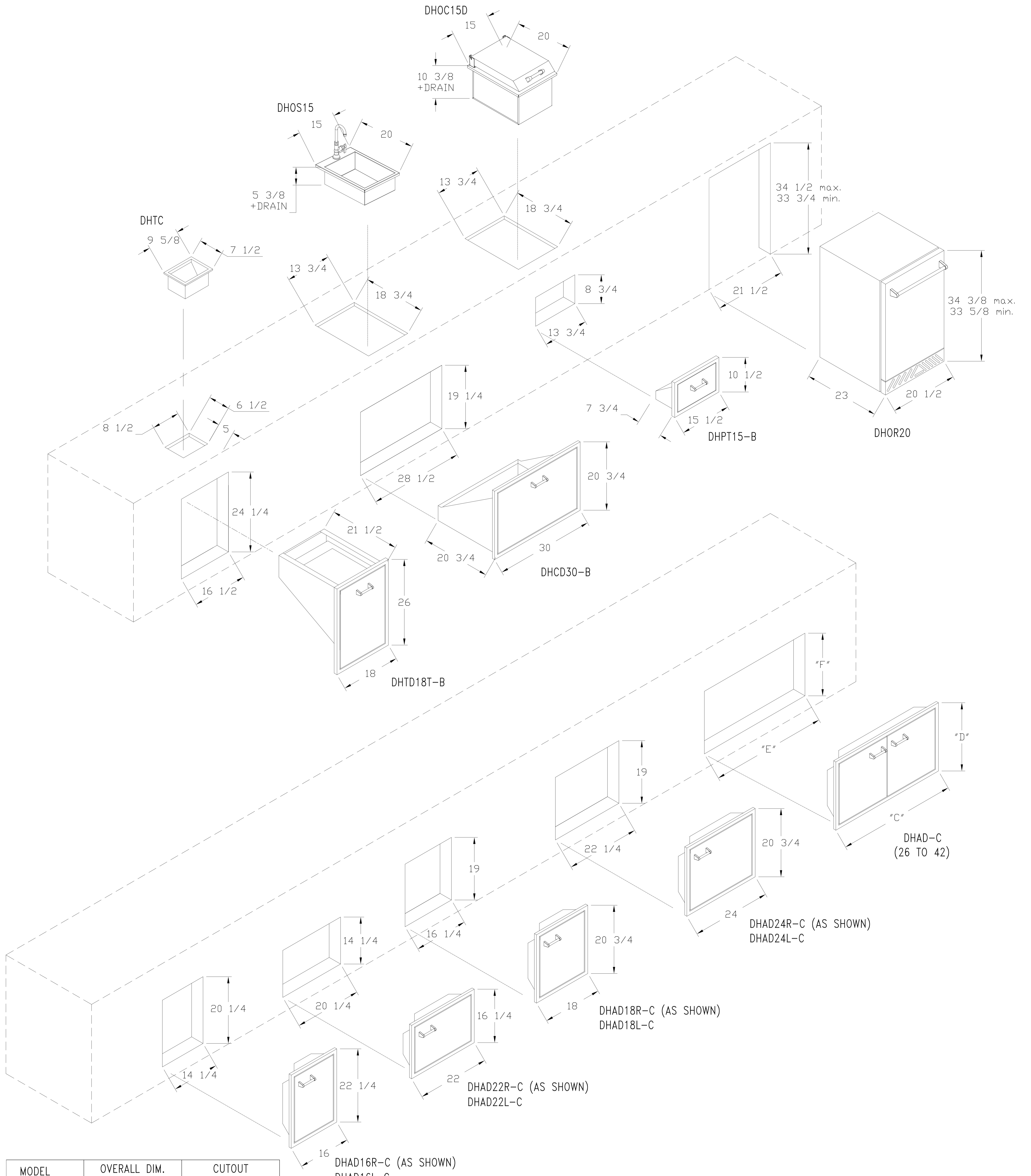
INSULATING JACKETS

MODEL	A	B
DHIJ26	30 7/8	29
DHIJ32	36 7/8	35
DHIJ38	42 7/8	41



Allow minimum of 3" clearance from the grill's rear edge (3.75" from cutout) to the backsplash to allow hood to fully open.

Rotisserie Motor could be installed either on the right hand side or left hand side



MODEL NUMBER	OVERALL DIM.		CUTOUT	
	C	D	E	F
DHAD16R/L-C	16	22 1/4	14 1/4	20 1/4
DHAD18R/L-C	18	20 3/4	16 1/4	19
DHAD22R/L-C	22	16 1/4	20 1/4	14 1/4
DHAD24R/L-C	24	20 3/4	22 1/4	19
DHAD26-C	26	20 3/4	24 1/4	19
DHAD30-C	30	20 3/4	28 1/4	19
DHAD32-C	32	20 3/4	30 1/4	19
DHAD36-C	36	20 3/4	34 1/4	19
DHAD38-C	38	20 3/4	36 1/4	19
DHAD42-C	42	20 3/4	40 1/4	19

For the constant advancement of our products, Delta Heat reserves the right to change the specifications, designs, and materials of the products without prior notification.