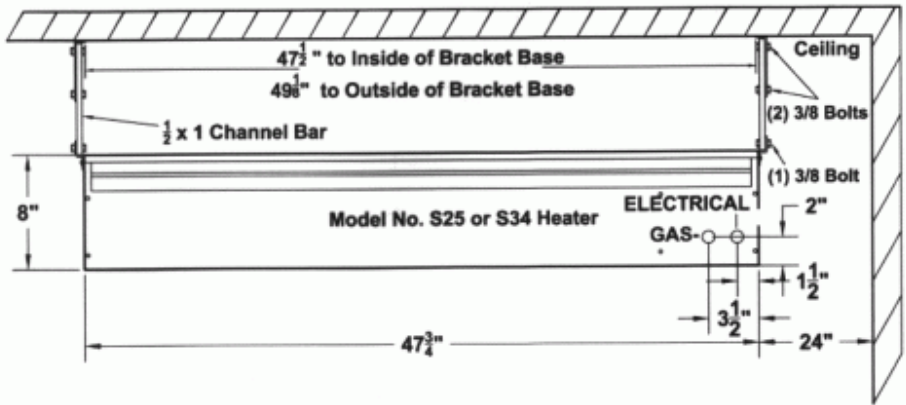
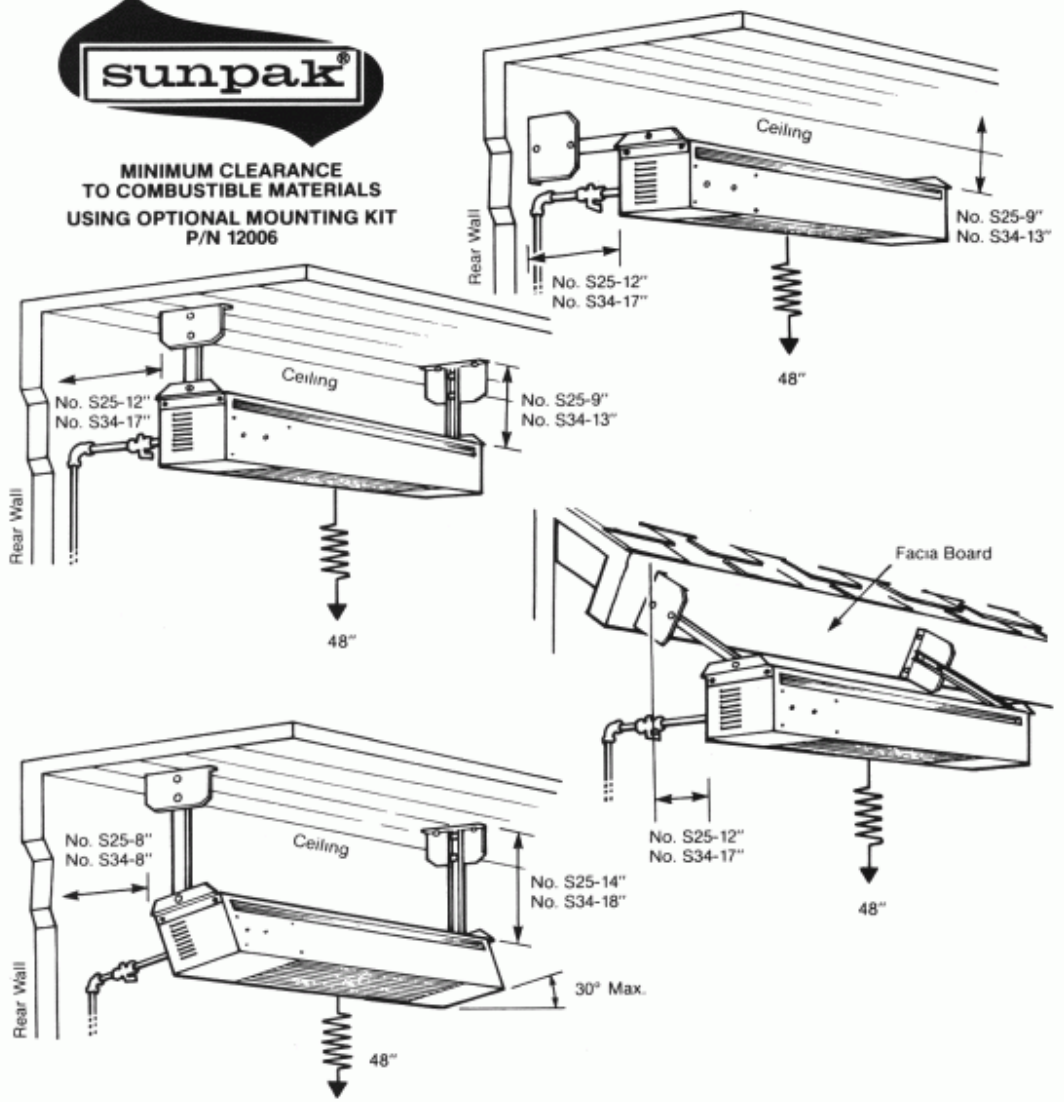


SUNPAK® INFRARED HEATERS



**MINIMUM CLEARANCE
TO COMBUSTIBLE MATERIALS
USING OPTIONAL MOUNTING KIT
P/N 12006**



rear view
of heater