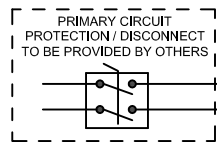
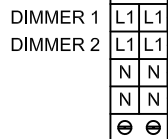
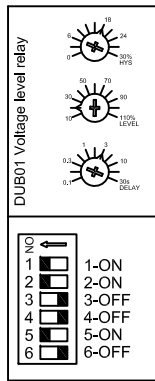


240 VOLT 1Ø 85 AMPS

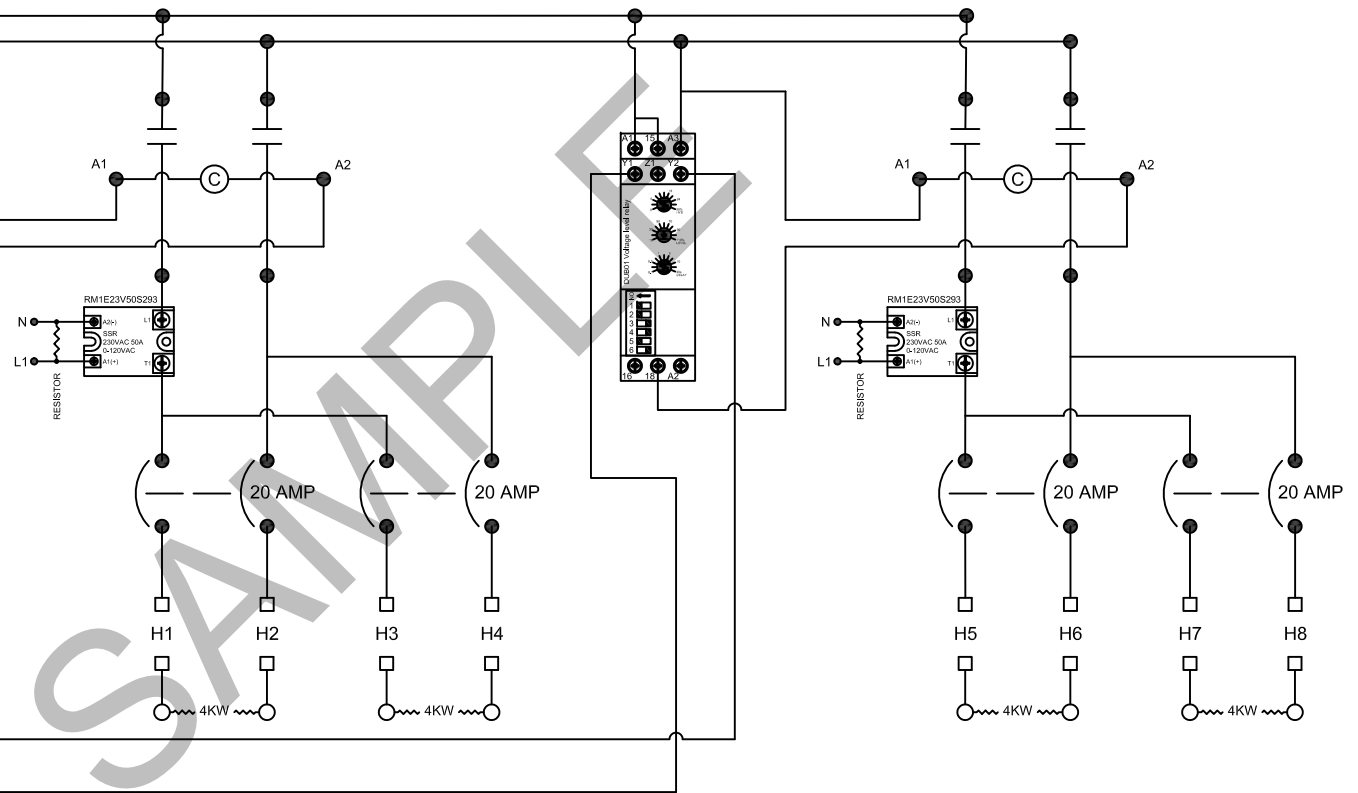


RELAY 1  
8 KW MAX

RELAY 2  
8 KW MAX



0 - 120 VOLT AC CONTROL INPUT FROM HOME MANAGEMENT CONTROL OR DIMMER



<b>INFRA TECH</b> www.infratech-usa.com		15700 S. Figueroa St. Gardena, California 90248 Phone: (310) 354-1250 Fax: (310) 523-3674	
DESCRIPTION 2 RELAY UNIVERSAL CONTROL PANEL 240 VOLT SINGLE PHASE 85 AMPS			
CUSTOMER Sample			
DATE Nov. 18, 2018		ITEM# X-30-4072	
JOB#		UL#	